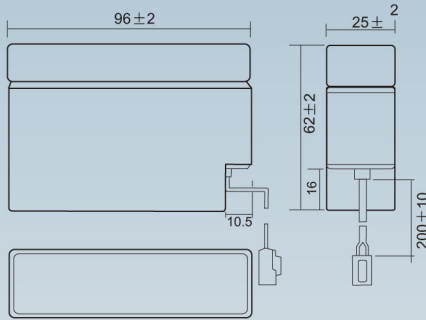


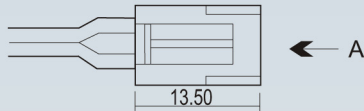
VO Series

(5yr Design Life in Float Service at 20°C)

Dimensions (mm)



Standard terminal (mm)



Physical Specification

Nominal Voltage		12V
Nominal Capacity (20HR)		0.8 AH
Dimension	Length	96 ± 2 mm
	Width	25 ± 2 mm
	Container Height	62 ± 2 mm
	Total Height (with terminal)	62 ± 2 mm
Weight		Approx 0.35kg
Standard Terminal		JST Plug

PS-1208 12V 0.8AH



Discharge Characteristics (25°C, 77°F)

Rated Capacity	20hr Rate(1.80V/cell)	0.80AH	Constant Voltage Charge	Cycle	Initial Charging Current Less than 0.20A Voltage 14.40V ~ 15.0V at 25°C (77°F)
	10hr Rate(1.80V/cell)	0.74AH			
Capacity Affected by Temperature	5hr Rate(1.75V/cell)	0.68AH	Constant Voltage Charge	Standby	Recommended Charge Current less than 0.20A Voltage 13.5V ~ 13.8V at 25°C (77°F)
	3hr Rate(1.75V/cell)	0.61AH			
	1hr Rate(1.60V/cell)	0.50AH			
Capacity Affected by Temperature	40°C (104°F)	103%	Constant Voltage Charge	Standby	Recommended Charge Current less than 0.20A Voltage 13.5V ~ 13.8V at 25°C (77°F)
	25°C (77°F)	100%			
	0°C (32°F)	86%			

Internal Resistance mΩ

150.0 mΩ

Constant Current Discharge Characteristics Unit: Amperes (25°C, 77°F)

F.V/Time	5MIN	10MIN	15MIN	20MIN	30MIN	45MIN	1HR	2HR	3HR	4HR	5HR	6HR	8HR	10HR	20HR
1.85V/cell	1.52	1.17	0.97	0.84	0.65	0.48	0.402	0.238	0.186	0.151	0.123	0.107	0.086	0.072	0.0396
1.80V/cell	2.04	1.49	1.17	0.99	0.76	0.56	0.451	0.260	0.200	0.162	0.132	0.115	0.092	0.074	0.0400
1.75V/cell	2.31	1.64	1.28	1.07	0.79	0.58	0.471	0.269	0.204	0.165	0.136	0.118	0.093	0.076	0.0404
1.70V/cell	2.54	1.79	1.37	1.12	0.83	0.60	0.486	0.276	0.210	0.170	0.139	0.120	0.095	0.078	0.0411
1.65V/cell	2.80	1.93	1.45	1.19	0.87	0.61	0.498	0.280	0.219	0.175	0.143	0.123	0.096	0.080	0.0417
1.60V/cell	3.09	2.10	1.55	1.27	0.92	0.64	0.502	0.292	0.225	0.181	0.148	0.126	0.097	0.080	0.0419

Constant Power Discharge Characteristics Unit: Watts (25°C, 77°F)

F.V/Time	5MIN	10MIN	15MIN	20MIN	30MIN	45MIN	1HR	2HR	3HR	4HR	5HR	6HR	8HR	10HR	20HR
1.85V/cell	16.74	12.96	10.86	9.48	7.38	5.52	4.66	2.77	3.82	1.78	1.45	1.27	1.03	0.86	0.47
1.80V/cell	22.20	16.38	12.96	11.04	8.58	6.36	5.19	3.01	2.33	1.88	1.55	1.35	1.08	0.88	0.47
1.75V/cell	24.48	17.70	13.98	11.76	8.88	6.54	5.40	3.11	2.36	1.92	1.58	1.38	1.10	0.91	0.48
1.70V/cell	26.22	18.84	14.70	12.24	9.18	6.78	5.56	3.17	2.42	1.97	1.63	1.41	1.11	0.92	0.49
1.65V/cell	28.50	20.16	15.48	12.96	9.60	6.90	5.64	3.20	2.52	2.03	1.66	1.43	1.13	0.94	0.49
1.60V/cell	30.72	21.42	16.32	13.62	10.08	7.14	5.67	3.32	2.58	2.09	1.71	1.46	1.13	0.95	0.50



Power-Sonic Europe Limited
 3 Buckingham Square, Wickford, Essex, SS11 8YQ
 Tel: +44 (0)1268 560686 Fax: +44 (0)1268 560902
 sales@power-sonic.co.uk
 www.power-sonic.co.uk